

KL PAR FC



The **KL PAR FC™** is a compact full-color-spectrum LED fixture that provides high output, precise color temperature control, full spectrum color rendering and even wash coverage. Offering powerful color intensity and a wide array of saturated and pastel colors from its efficient RGBMA engine, it is also optimized for the tunable white light requirements of Film and Television. The KL PAR FC is an ideal key, fill and area wash light source for theater, House of Worship and any production requiring outstanding performance and color quality. It incorporates a highly efficient 5-in-1 (RGBMA) LED engine that produces up to 11,000 field lumens, equivalent to existing 750W Tungsten PAR fixtures, and is delivered with multiple lens choices that are easy to replace in the field. Outstanding color rendering quality with a high CRI of 92 and TLCI of 95, precise CCT presets and remotely adjustable LED refresh frequency makes this unit the perfect choice for today's fast paced production environments. Rugged and portable, the fixture can be suspended using any standard clamp or floor mounted using the integrated stand. It is fully self-contained without the need for an external power supply and offers locking power pass through for easy linking of multiple units. The KL PAR FC can be operated through industry standard DMX protocols and has full RDM support. In addition, it offers manual access and standalone operation using the included encoder and display, providing instant control of Intensity, Color Temperature, Green shift and other important settings. The display and encoder are conveniently positioned at the back side of the fixture to ensure unobstructed access when mounted.

FEATURES

- 280W RGBMA LED Engine
- Dynamic White + Full Spectrum Color Control
- 11,000 Total Fixture Lumen Output
- Field replaceable lenses
- Stand-Alone control with one Encoder and OLED Display
- Smooth 16-bit Selectable Dimming Modes and Curves
- Remote LED Refresh Rate and Fan Speed Adjustment
- Flicker Free Operation for TV and FILM
- RDM (Remote Device Management)
- 7.5" Gel Frame and four lenses (11°, 22°, 30°, 52°) included



Specifications subject to change without notice ©Elation Professional 11/21/2022

Elation Professional USA | 6122 S. Eastern Ave. | Los Angeles, CA. 90040
323-582-3322 | 323-832-9142 fax | www.elationlighting.com | info@elationlighting.com

Elation Professional B.V. | Junostraat 2 | 6468 EW Kerkrade, The Netherlands
+31 45 546 85 66 | +31 45 546 85 96 fax | www.elationlighting.eu | info@elationlighting.eu

PRODUCT SPECIFICATIONS

SOURCE

280W 6500K RGBMA LED Engine
50,000 Hour Average LED Life*

*May vary depending on several factors including but not limited to:
Environmental Conditions, Power/Voltage, Usage Patterns (On-Off Cycling),
Control and Dimming.

PHOTOMETRIC DATA

11,000 Total Lumen Output
CRI 92
TLCI 95

INCLUDED LENSES

VNSP (11°)
NSP (22°)
MFL (30°)
WFL (52°)

EFFECTS

Electronic Dimmer and Strobe
Variable 16-bit Dimming Modes and Curves

COLOR

RGBMA Color Array
CMY Emulation
Variable CCT 2,400K - 8,500K
Green/Magenta Shift
Virtual Gel Swatch Book

CONTROL / CONNECTIONS

6 DMX Channel Modes (1 to 17 channels)
Manual and DMX Controlled Dimmer and Color
Single Rotary Dial
4 Button Control Panel, LED Display
RDM (Remote Device Management)
3/5pin DMX and IP65 Locking Power Cable In/Out

SIZE / WEIGHT

Length: 10.85" (276mm)
Width: 13.94" (354mm)
Vertical Height: 15.49" (393mm)
Weight: 16.27 lbs. (7.38kg)

ELECTRICAL / THERMAL

AC 100-240V - 50/60Hz
284W Max Power Consumption
5°F to 113°F (-15°C to 45°C)
BTU/hr (+/- 10%): 891.76

INCLUDED ITEMS

7.5" Gel Frame
4 Lenses (11°, 22°, 30°, 52°)
IP65 Locking Power Cable

OPTIONAL ITEMS

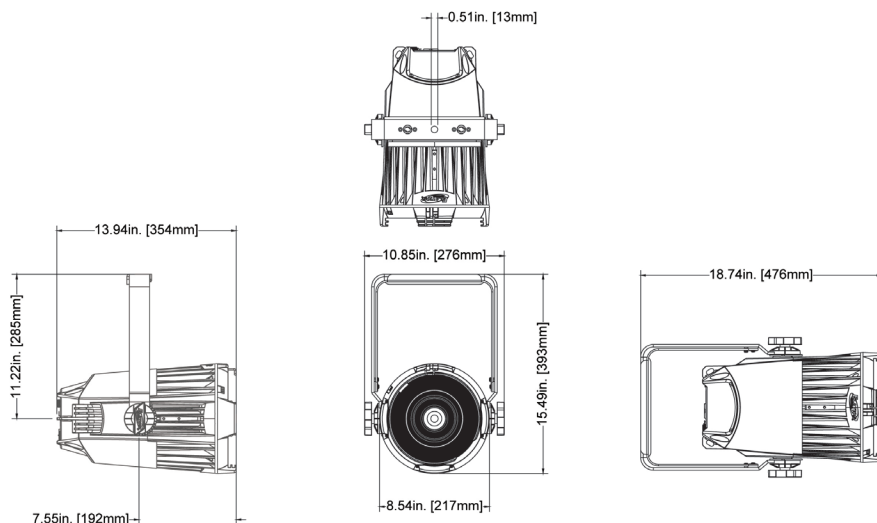
7.5" Barndoors
XWFL (90°) Lens
23° Ovalizer Lens

APPROVALS / RATINGS

(pending) CE | cETLus | IP20

Specifications and documentation subject to change without notice.

DIMENSIONAL DRAWING



*DRAWINGS NOT TO SCALE



ORDERING INFORMATION

KLP500	KL PAR FC	1236100142
KLP555	KL PAR FC WH	PENDING
KLP959	BARN DOOR FOR KL PAR FC	1236100143
KLP987	KL PAR XWFL LENS	1236100144
KLP988	KL PAR GLASS OVALIZER LENS	1236100145